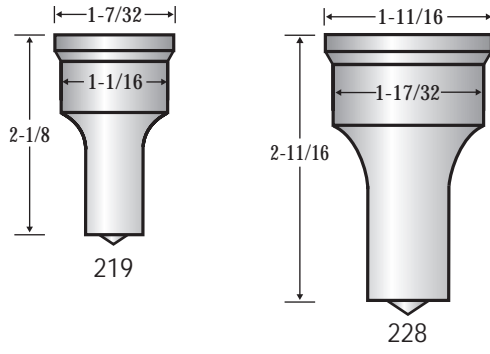


| Model | Punch | Die |
|--------|-------|------|
| 50 | 1 | 41 T |
| 50/110 | | 41 |
| 5 | 1 | 41 T |
| 40 | 1 | 41 T |
| 50 | 1 | 41 T |
| 0 | | 41 |
| 0-1 | | 41 |
| 100 | | 41 |
| 100-1 | | 41 |
| 15 | | 41 |
| 15-1 | | 41 |
| 5 | 1 | 41 T |
| 40 | 1 | 41 T |
| 4 | 1 | 41 T |
| 1 | 1 | 41 T |
| 0 | | 41 |
| 0-1 | | 41 |
| 100 | | 41 |
| 100-1 | | 41 |
| 15 | | 41 |
| 15-1 | | 41 |

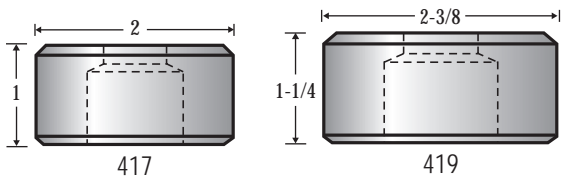
PUNCHES



S 14 28XX

Note: C, z/M, M, TM
I, I, 28XX R
D, O, H B

DIES



28XX
S 14 28XX

SHEAR BLADES

F, B, A, C, A, N, B, G, S, B, 4.

